

IWMI

UNC

URBAN NOISE CONTROL

Industrial Solutions

IWI



About us

Our Passion is Acoustics. We Believe that humans sense of hearing is very important in everyday life, in our way of leaving, in well being.

We are a company that designs manufactures and installs Acoustic oriented products and systems. We have the experience of pre-testing a product with modern technologies and field test the product through our advanced Acoustic instruments. We are able to give solutions to almost any Acoustic problem with every-time the same quality and professionalism. We are Urban Noise Control and we are passionate with the Science of Acoustics.

Products



Industrial Solutions

Facade Splitter
Silencers

Acoustic Barriers

Industrial Room
Absorption

Industrial Solutions

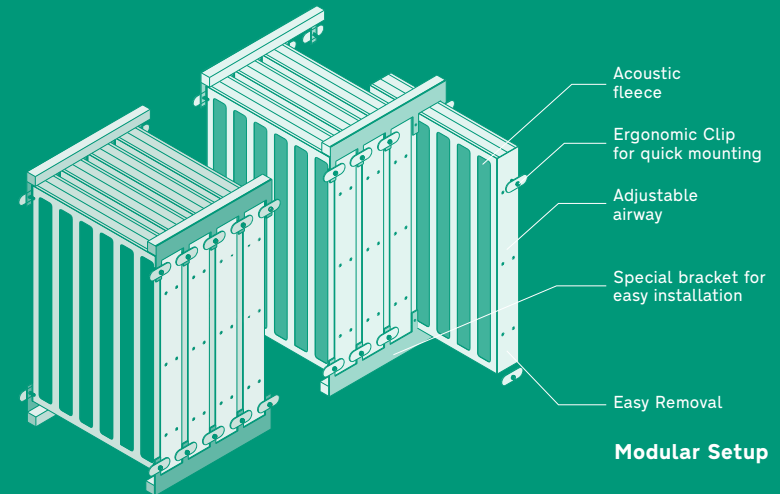
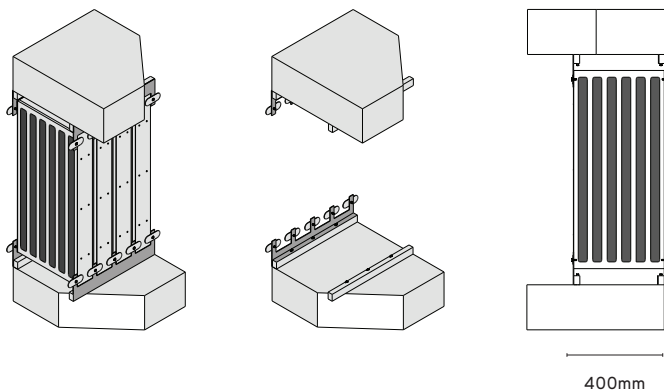
Facade Silencers

UNC Facade Silencers / Splitter Silencer System is a modular system design for all kind of industrial applications and solutions. It is consisted of Custom made Splitter silencers with 80% open air and recycled absorptive material that will last longer. The special Laser-Cut Bracket can be customized to be mounted on existing façade openings or pre-made steel structures. The system can be used in several applications, such as:

- Mechanical Rooms
- Generator Rooms
- Roof MEP Applications
- Workshop fresh air Inlets Outlets

The Splitter Silencer System can be made out of Aluminum, galvanized steel and stainless steel. All three materials can be coated for extra strength with Electrostatic Paint or wet paint according to the projects needs.

Facade Silencers 400mm



The Splitter Silencer System can be calculated according to the project needs. Airflow Data is essential for the regenerated noise and the differential pressure between the inlet and the outlet. The width of the system will determine the insertion loss in dB. All calculations are based on empirical formulas.

Acoustic Specifications

	63Hz	125Hz	250Hz	500Hz	1KHz	2KHz	4KHz	8KHz
AIR-REGENERATED NOISE, SOUND POWER LEVEL	19	<15	<15	<15	<15	<15	<15	<15
INSERTION LOSS	3	6	7	8	16	19	16	10

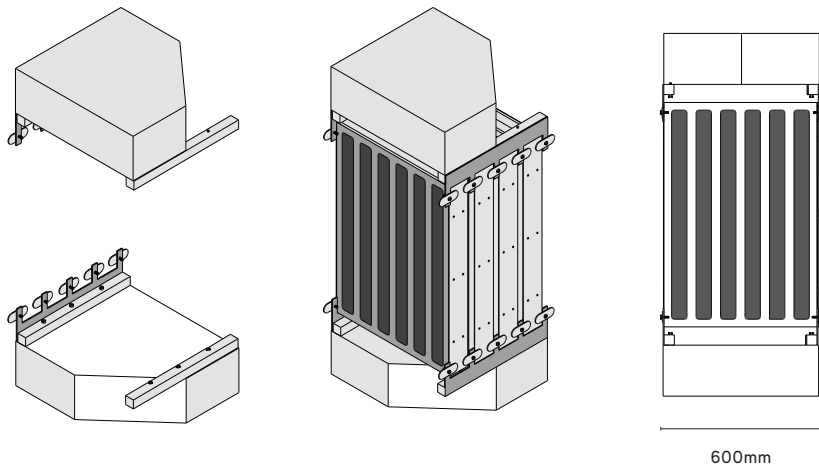
Airflow velocity in the airway V_s **2.5m/s**

Static differential pressure Δp_{st} **<5Pa**

Air-regenerated noise $L_{W,NC}$ **<15dB**

Insertation Loss is based on 400mm width and volume flow 3,600m³/h.

Facade Silencers 600mm



Acoustic Specifications

	63Hz	125Hz	250Hz	500Hz	1KHz	2KHz	4KHz	8KHz
AIR-REGENERATED NOISE, SOUND POWER LEVEL	19	<15	<15	<15	<15	<15	<15	<15
INSERTION LOSS	4	7	9	11	19	22	18	13

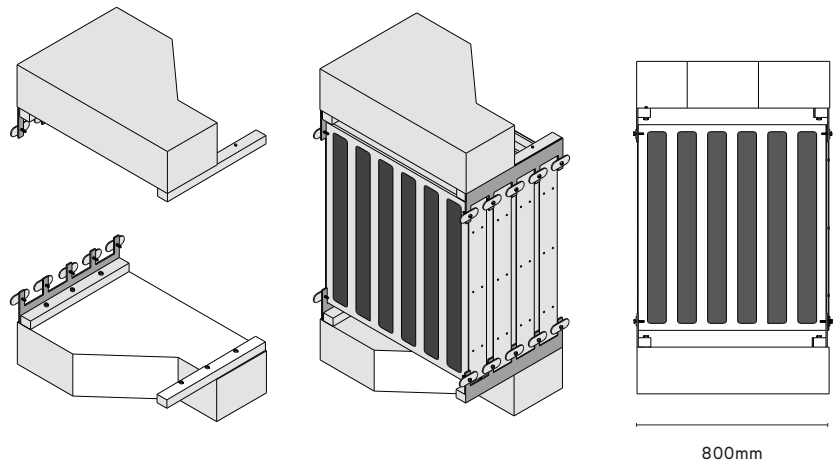
Airflow velocity in the airway V_s **2.5m/s**

Static differential pressure Δp_{st} **<5Pa**

Air-regenerated noise LW,NC **<15dB**

Insertation Loss is based on 600mm width and volume flow 3,600m³/h.

Facade Silencers 800mm



Acoustic Specifications

	63Hz	125Hz	250Hz	500Hz	1KHz	2KHz	4KHz	8KHz
AIR-REGENERATED NOISE, SOUND POWER LEVEL	19	<15	<15	<15	<15	<15	<15	<15
INSERTION LOSS	4	8	12	14	22	25	20	16

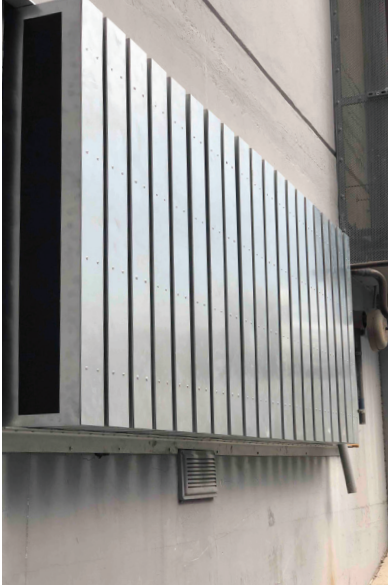
Airflow velocity in the airway V_s **2.5m/s**

Static differential pressure Δp_{st} **<5Pa**

Air-regenerated noise LW,NC **<15dB**

Insertation Loss is based on 800mm width and volume flow 3,600m³/h.

Industrial Solutions



IWMI

UNC

URBAN NOISE CONTROL

Acoustic Systems & Materials

6 Amphissis Street, 3071 Limassol, Cyprus
+357 25 388818 | info@urbannoisecontrol.com
urbannoisecontrol.com